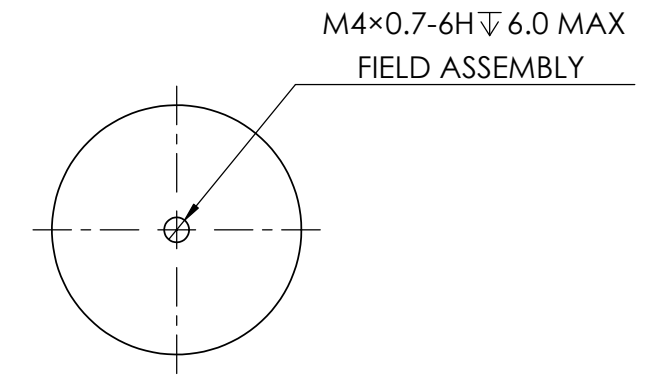
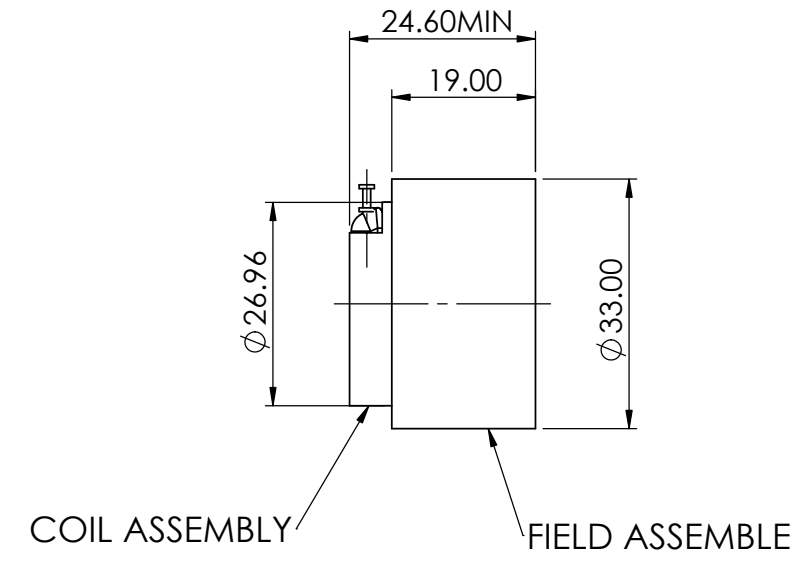
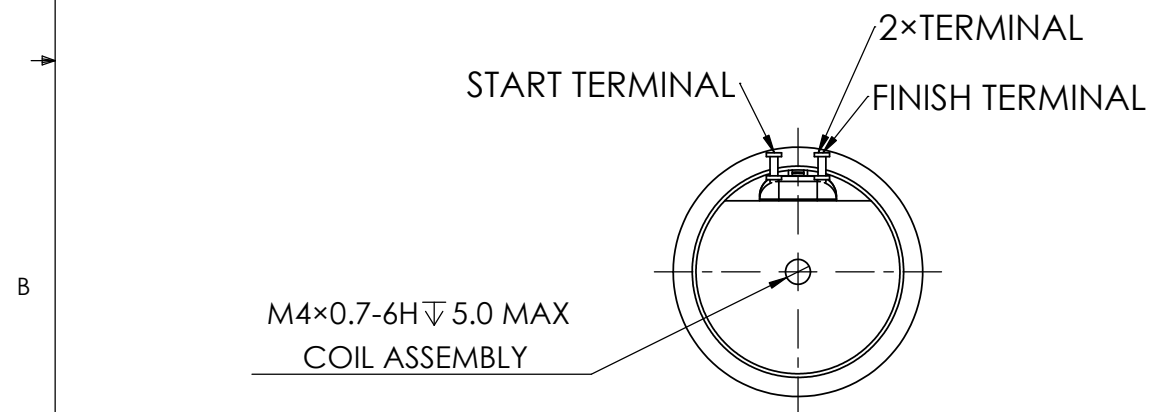
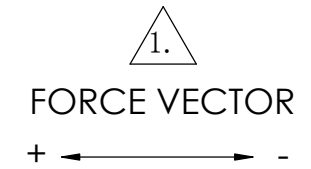
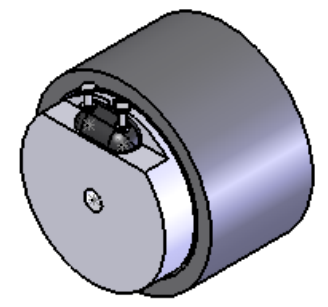


| WINDING CONSTANT | TOL | SYM | VALUE | UNITS |
|---------------------------------------|---------|------|-------|-----------|
| DC RESISTANCE | ± 10% | R | 17 | OHMS |
| VOLTAGE @ Fp | NOMINAL | Vp | 26.2 | VOLTS |
| CURRENT @ Fp | NOMINAL | Ip | 1.5 | AMPS |
| FORCE SENSITIVITY | ± 7.5% | Kf | 9.75 | N / A |
| BACK EMF CONSTANT | NOMINAL | Kb | 9.75 | V/M/Sec |
| INDUCTANCE***** | ± 30% | L | 2.31 | mH |
| ACTUATOR PARAMETER | | SYM | VALUE | UNITS |
| PEAK FORCE * | | Fp | 15 | N |
| CONTINUOUS FORCE ** | | Fc | 6.5 | N |
| CONTINUOUS FORCE WITH HEAT SINK | | Fc | 15 | N |
| ACTUATOR CONSTANT | | Ka | 2.36 | N/√w |
| ELECT TIME CONSTANT | | Te | 0.14 | milli-sec |
| POWER I ² R@Fp | | Pp | 40.2 | W |
| TOTAL STROKE | | S | 6.2 | mm |
| CLEARANCE ON SIDE OF COIL | | CL | 0.5 | mm |
| THERMAL RESISTANCE *** | | θth | 16.7 | C / W |
| THERMAL RESISTANCE WITH HEAT SINK**** | | θth | 2.84 | C / W |
| MAX WINDING TEMP | | Tmax | 150 | C |
| WEIGHT OF COIL ASSEMBLY | | WTc | 14.8 | g |
| WEIGHT OF FIELD ASSEMBLY | | WTf | 104.7 | g |
| WEIGHT OF ACTUATOR | | WTa | 119.5 | g |

* 10 sec @ 25C ambient, 150C coil temp.
 ** 25C ambient, 150C coil temp.
 *** In free air.
 **** Measured with 250×250×10mm heat sink.
 ***** Measured with BK PRECISION 875B.

| REV | ECO NO. | DESCRIPTION | DRN | APP'D | Q.A. | DATE |
|-----|---------|-------------------|-----|-------|------|----------|
| X1 | --- | INITIAL RELEASE | WYG | FCL | | 06/08/13 |
| X2 | 100037 | UPDATE DATA SHEET | WYG | FCL | | 06/09/29 |
| X3 | 100061 | UPDATE DATA SHEET | BWZ | WYG | LBQ | 07/04/26 |



2.INSULATION RESISANCE:100 MEGOHMS MINIMUM AT 500 VDC.

▲A POSITIVE(+)VOLTAGE APPLIED TO THE START TERMINAL LEAD WILL PRODUCE A FORCE ON THE COIL ASSEMBLY IN POSITIVE (+) DIRECTION.

NOTES:UNLESS OTHERWISE SPECIFIED

PROPRIETARY AND CONFIDENTIAL
 THE INFORMATION CONTAINED IN THIS DRAWING IS THE SOLE PROPERTY OF USAS MOTION - SUZHOU, CHINA. ANY REPRODUCTION IN PART OR AS A WHOLE WITHOUT THE WRITTEN PERMISSION OF USAS MOTION - SUZHOU, CHINA IS PROHIBITED.

| | | |
|--|-----------|--------------|
| UNLESS OTHERWISE SPECIFIED: | NAME | DATE |
| DIMENSIONS ARE IN MM | DRAWN | BWZ 07-04-26 |
| TOLERANCES: | CHECKED | |
| ANGULAR: MACH±0° 30' | ENG APPR. | WYG 07-04-26 |
| ONE PLACE DECIMAL ±0.25 | MFG APPR. | |
| TWO PLACE DECIMAL ±0.1 | Q.A. | LBQ 07-04-26 |
| INTERPRET GEOMETRIC TOLERANCING PER: ANSI Y14.5M-1982. | COMMENTS: | |
| DO NOT SCALE DRAWING | | |

usas motion Suzhou, China

TITLE: **LINEAR ACTUATOR**

| | | |
|---------------|---------------------------|--------|
| SIZE B | DWG. NO. VLR0015-0062-00A | REV X3 |
| SCALE: 1: 1 | SHEET 1 OF 1 | |